



CS 80 MAGNEO

Automatic
sliding door operator

CS 80 MAGNEO – the new automatic sliding door operator.

Thanks to an innovative door operator system based on magnetic technology, DORMA offers with their CS 80 MAGNEO an automatic operator for single-panel interior sliding doors. The CS 80 MAGNEO is an all-purpose application for the public, commercial and private sector and its low size and innovative DORMA Contur design meet all requirements of modern interior design. Thanks to its new magnetic technology, the CS 80 MAGNEO offers an almost noiseless, safe and reliable operation in combination with wear resistance.

Variable applications

The CS 80 MAGNEO is available in right- or left-handed design and suitable for in-wall or on-wall mounting. There are three versions for door widths of up to 875 mm, 1,000 mm and 1,125 mm. Furthermore the CS 80 MAGNEO is suitable for application on timber, glass and metal doors with door-panel weights from 20 to 80 kg. This new system offers various applications in the private and public sector like for example as interior door, as door for walk-in cupboards, office door or door for clinical practices but also as door application for hotels and the catering sector. Furthermore the CS 80 MAGNEO is also especially suitable to upgrade existing door systems in the private, public and commercial sector.

Guaranteed safety

As this operator is suitable for application in a low-energy system in accordance with DIN 18650 (German Industrial Standard), ANSI (American Standard) and BSI (British Standard), the CS 80 MAGNEO does not require additional safety sensors in contrast to other sliding door systems. Due to its extra sensitive driving behaviour, it will detect any obstacle at once. As an alternative, the system can be switched to Full-Energy-Mode at the operator. In this case, the system has to be equipped with optional safety sensors out of the DORMA Automatic accessory range.

Special functions

No matter if the door shall be opened or held open, be activated manually, via pushbutton or radar motion detector – the system offers various special functions as standard: Activation via pushbutton, radar motion detector or AutoSwitch, Push&Go, manual access, Permanent Open, Plug&Go, adjustable Full-Energy-Mode (additional safety sensors required).

Easy mounting

Thanks to the comprehensive mounting and operating instructions, the mounting of the system does not require any special knowledge and can be performed by the glass, metal and timber worker or by versed laymen.



System technology with various options.

Ways of mounting

In- or on-wall mounting

Passage widths

We offer the following operator sizes for movement ranges from 800 to 1,125 mm:

- 875 mm
- 1,000 mm
- 1,125 mm.

Operator cover

- height: 62 mm
- height: 75 mm

Suitable door panel versions

- Full-glass doors
 - Framed glass doors
 - Timber doors
 - Metal doors
- for door panels from 20 to 80 kg

Door accessories

- MANET fixings for full-glass doors
- Glass clamping rail
- Recessed door grip for all door panels.

Floor guide rails

- Floor guide rail for timber door panels
- Floor guide rail for door panels in full-glass design
- Floor guide for framed door panels

Activation of door system

Thanks to our broad range of activators, you will always find the perfect application for your individual structural requirements.

- DORMA Easy Switch radio transmitter and radio receiver
- Push&Go
- Radar motion detector

Complete packages made-to-measure

We offer operator applications that are tailored to your individual requirements. Our packaging concepts offer customer-oriented stock keeping with minimum delivery time.

Component packages as individual components

All component packages are available as individual components:

- The basic operator in its three installation sizes,
- the operator cover,
- mounting accessories,
- door panel suspensions,
- sensors and pushbuttons,
- floor guide rails.

Door accessories

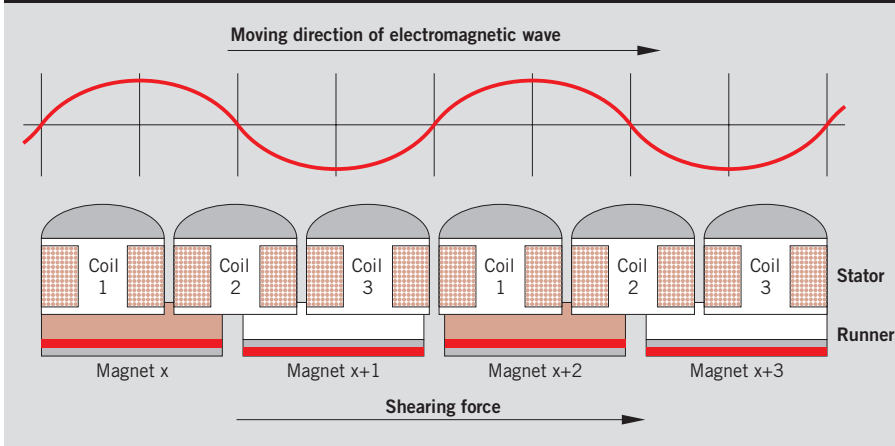
- MANET fixings for full-glass doors
- Glass clamping rail
- Recessed door grip

Features and benefits

- New magnetic drive
- Single-panel version in right- or left-handed design
- Innovative Contur design
- Suitable for in- and on-wall mounting
- Delivered as a complete operator system or as individual components
- Various special functions as standard
- Low-Energy-Mode, optional Full-Energy-Mode (additional safety sensors required)
- Suitable for application on glass, timber and metal doors from 20 to 80 kg
- Safe, reliable and wear resistant operation thanks to its novel magnetic technology
- Easy installation and commissioning
- Connection to standard 230-V power supply



Functional principle of MAGNEO



The DC linear motor (permanent magnet linear synchronous motor) creates the movement that is adapted to a sliding door.

Like a rotating motor, the stator of the linear motor creates a magnetic shear wave, which moves the carrier and thus the door panel.

By reducing the system to the actually required operator components, we achieve high reliability as only few components are involved.

Prepared for connection of various special functions.



Plug&Go

CS 80 MAGNEO as complete unit – just install it and switch it on. The system is operated with 230-V standard power supply. Reliable, with a minimum of maintenance effort – and easy to upgrade.



Push&Go

The door will open automatically as soon it is slightly pushed in open direction by hand and will close automatically. The hold-open time can be adjusted individually.



“SoftMotion” safety

Thanks to the sensitive driving behaviour of the door panel, no additional safety sensors are required when the system is operated in Low-Energy-Mode (in accordance with the German DIN 18650, American ANSI and British BSI standard).



Permanent Open

The CS 80 MAGNEO holds the door in open position for a desired period of time. The switch to activate/deactivate this function is located directly at the CS 80 MAGNEO.



EPS-S3 program switch

The CS 80 MAGNEO is activated via pushbutton in an easy and comfortable way. The sliding door will close automatically as soon as the user has passed the door system.



Radio remote control

The CS 80 MAGNEO can also be activated by remote control as an option.



AutoSwitch

A transponder, carried by the people accessing the door, activates the door automatically without having to perform any action. Thus the code can be used to define a restricted user group.



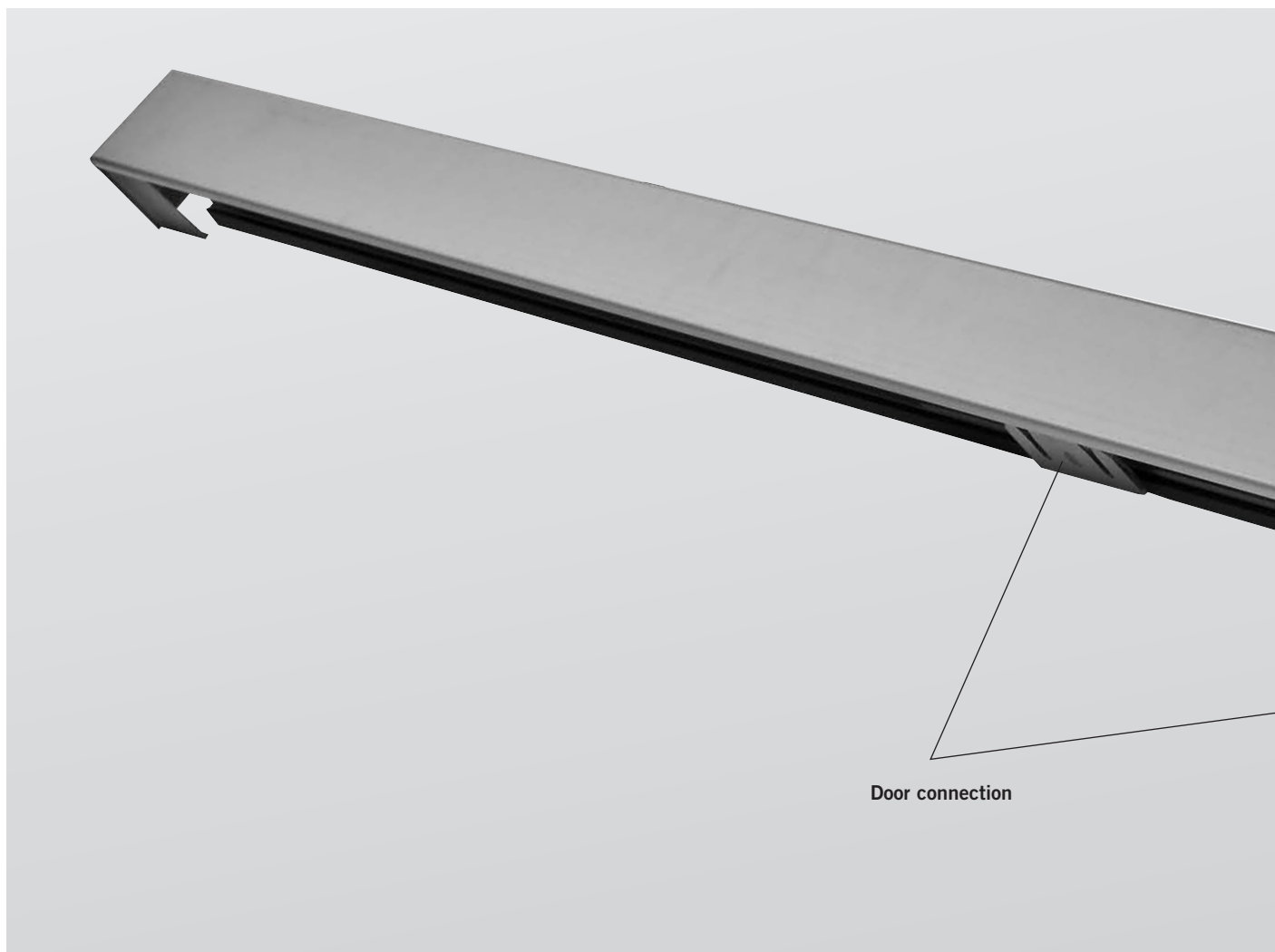
Radar motion detector

The CS 80 MAGNEO can also be activated via a radar motion detector – so that the door will open and close automatically.



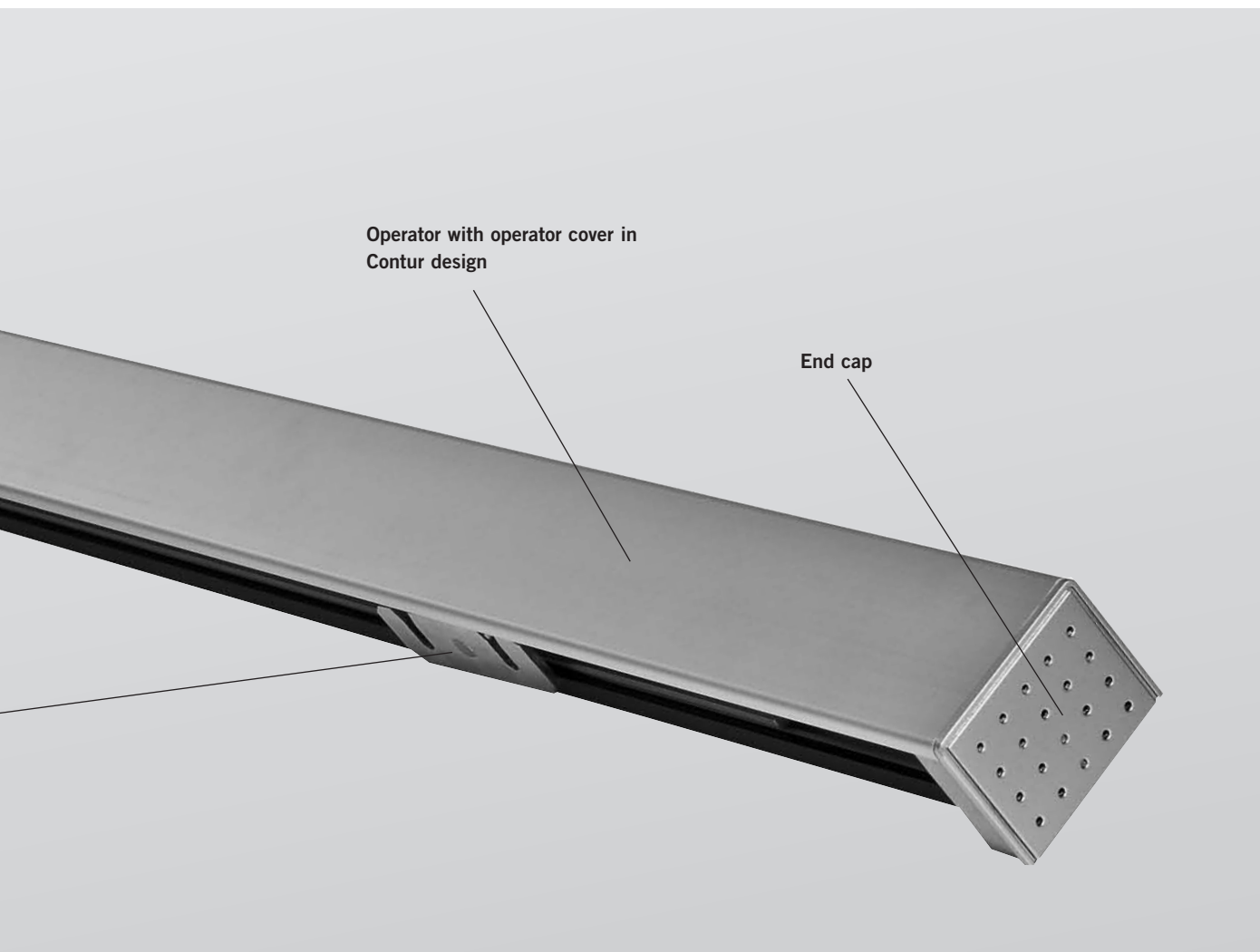
Manual access of door system

Although the CS 80 MAGNEO is a full-automatic operator, the door can easily be opened and closed by hand – even in the event of a power failure.



Door connection

Door parameters	Version		
	1	2	3
Min. passage width	800 mm		
Max. passage width	875 mm	1,000 mm	1,125 mm
Max. height of door panel	3,000 mm		
Door panel weight	20 kg to 80 kg		
In- or on-wall mounting	●		



Technical data of operator			
Operator length without cover	1,750 mm	2,000 mm	2,250 mm
Operator height	62 mm und 75 mm		
Installation depth	60 mm		
Weight of operator	8,0 kg	8,5 kg	9,0 kg
Power supply	220–230 V AC ± 10% / 50/60 Hz		
Fuse protection (by others)	10 A		
Power consumption			
Stand-By Mode	5,6 W		
Automatic Function	max. 60 W		
Class of protection	IP 20		
Temperature range	0–40 °C		
Operating noise	max. 55 db (A)*		
Low-Energy-Mode	●		
Full-Energy-Mode with safety sensors	○		
Compliant with DIN 18650, ANSI, BSI	●		
Manufactured to ISO 9001:2000	●		

*Measured at test setup. The noise level depends on the door and the prevailing substructure.

● = included ○ = optional

Standard function programs and special functions	
Off	●
Automatic	●
Permanent Open	●
SoftMotion in Low-Energy-Mode	●
Flip-Flop-Function	●
Push&Go-Function	●
Manual access in the event of a power failure	●
Permanent Open	●

Connectable accessories	
Pushbuttons	●
Radio remote control and radio transmitter	●
AutoSwitch	●
Radar motion detector	●
External program switches	●
Safety sensors for main or secondary closing edge	●

Activators

Pushbutton (located on the wall)

The pushbutton triggers an opening cycle as soon as it is activated and switches to "Permanent Open" function via double-click. It is connected to CS 80 MAGNEO via cable.

Easy Switch Set (radio transmitter)

The Easy Switch Set radio transmitter triggers an opening cycle as soon as it is activated and switches to "Permanent Open" function via double-click. This set is connected to the CS 80 MAGNEO without any cables. Please enter the required number of **pushbuttons** on page 7!

RC-R / RC-T radio system

The RC-R / RC-T radio system triggers an opening cycle as soon as it is activated and switches to "Permanent Open" function via double-click. This system is connected with the CS 80 MAGNEO via a hand-held transmitter and does not require any cables. Please enter the required number of **hand-held transmitters** on page 7!

Activator / Radar motion detector

The activator is a motion detector, which automatically triggers an opening cycle as soon as a person approaches the door system. This activator is mounted visibly.

Required space

To determine how much space you require for your door system, proceed as follows:

You will find the required height with the aid of the template.

The passage width is selected in accordance with the operator size. You have

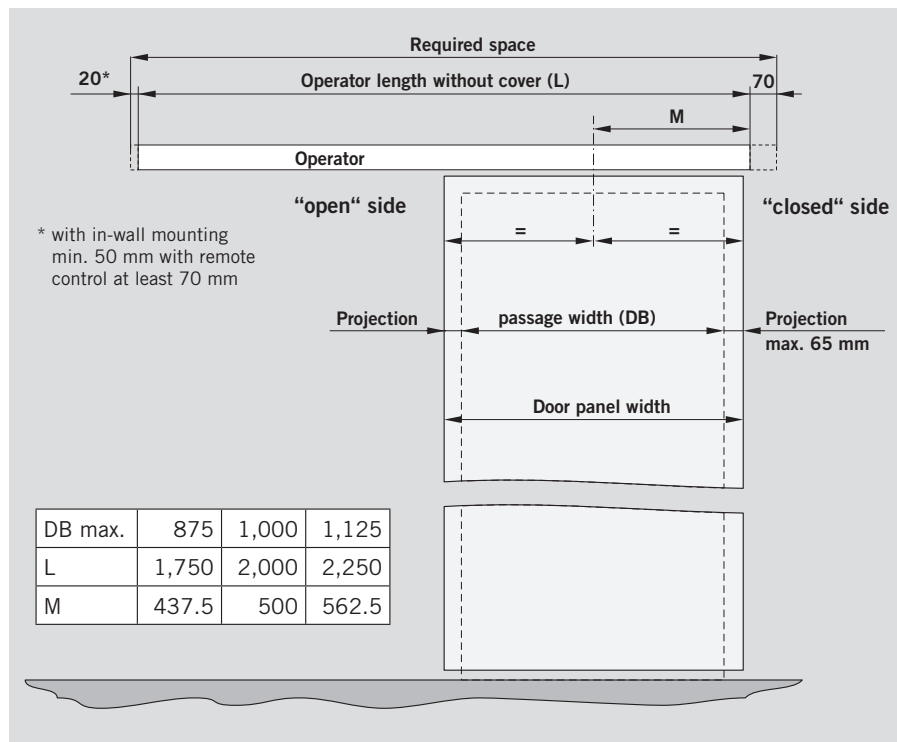
to determine the movement range of the door system for this purpose:

Passage width (DB) + projection on the "closed" side of the door system = movement range

Select an operator size (875, 1,000, 1,125) that is as big as or bigger than the movement range of the door.

You will require an additional 70 mm on the "closed" side and an additional 20 mm or 50 mm on the "open" side of the door system for installation purposes. You must have sufficient space on the "open" side so that the door panel can move out of the complete passage area.

Please check if all dimensions can be realised with your structural conditions (see drawing on top of the next page). Please contact us in case there are any discrepancies/questions.



Consider the projection at the door frame and the baseboards!

You will require the shim plate if there is a projection at the door frame or when

baseboards are installed. Where the projection at the door frame or at the baseboards is more than 10 mm, it has to be underlaid (by others). The back of the

mounting bracket must be flush with the projection of the door frame or those of the baseboards.

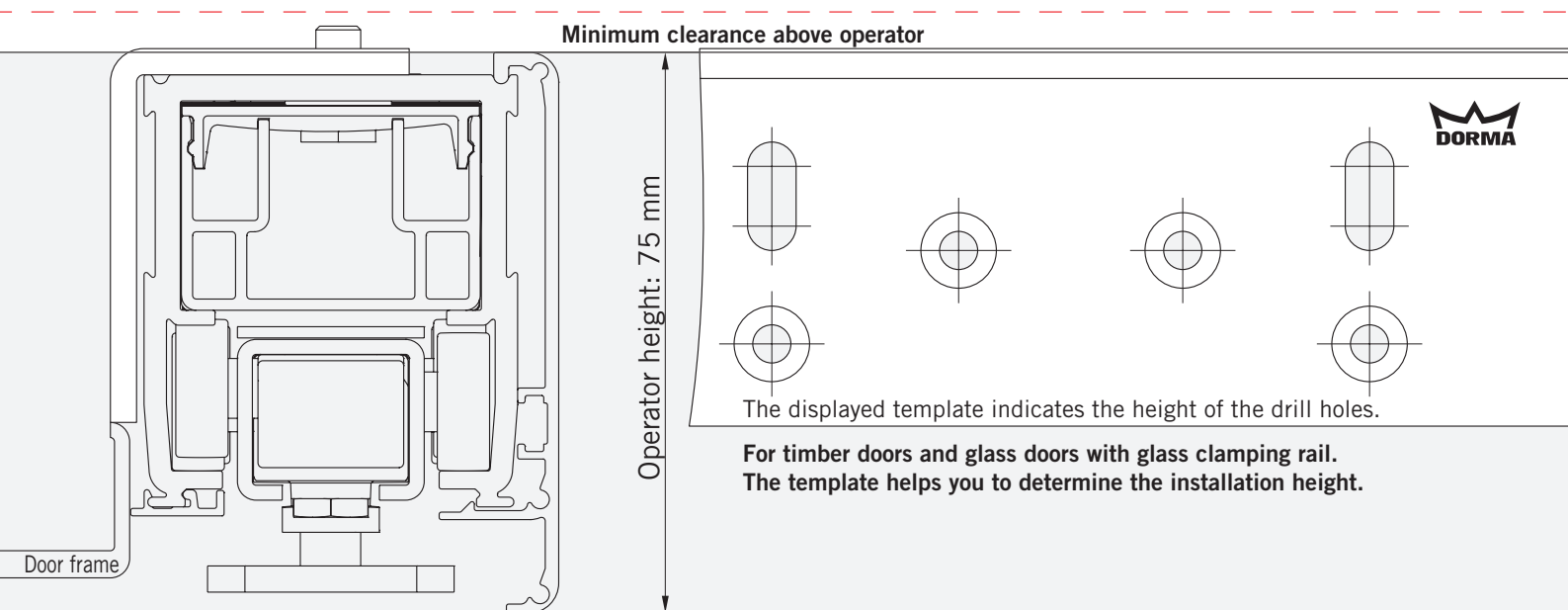
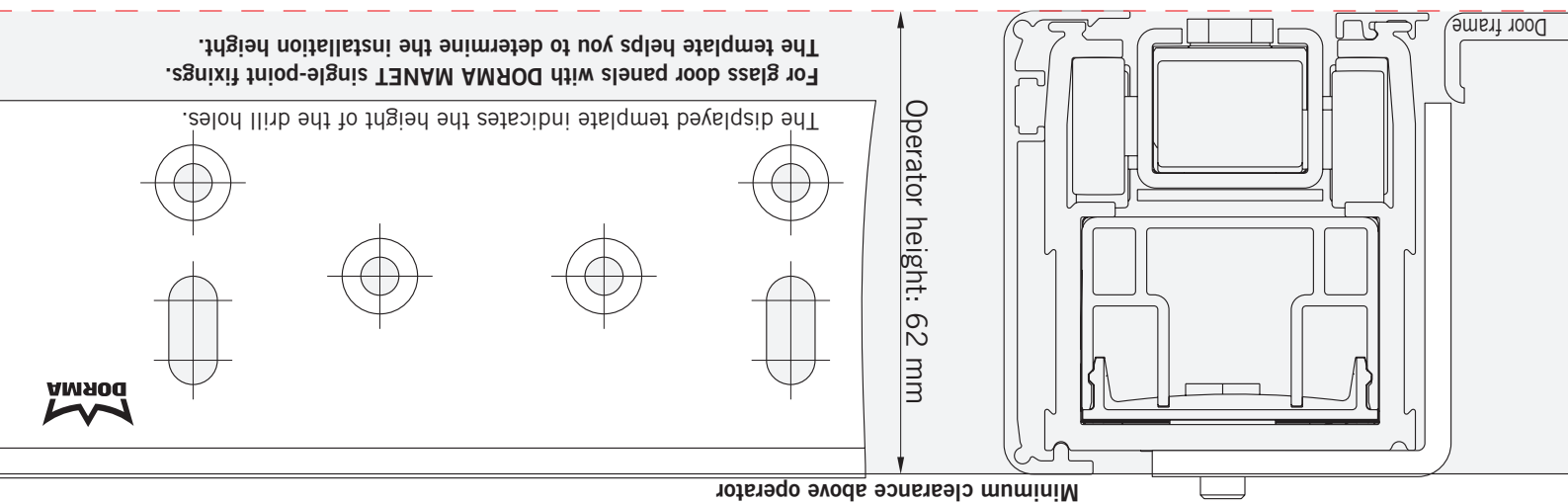
Door panel width

To determine the door panel width, proceed as follows: Door panel width = Passage width + projection.

You can select the projection individually; however, it must not exceed 65 mm on the "closed" side.

In order to ensure that the system is installed symmetrically, we would recommend using the same projection on both sides (on the "closed" and on the "open" side).

Enter the calculated dimensions in the respective drawing for your door panel:
 Page 8: **Glass door panels with DORMA MANET single-point fixings**
 Page 9: **Glass door panel with glass clamping rail**
 Page 9: **Timber door panel**



Door panel height

The above template will help you to determine the door panel height. The first step is to select the suitable template (glass door panel with DORMA MANET single-point fixings or timber or glass door panel respectively with glass clamping rail).

Detach the template at the red perforated line.

The template has the height of the operator plus the minimum required clearance above the operator.

Attach and fix the template to the wall as indicated in the drawing at the desired height above the door opening.

Then measure the height from the bottom edge of the template to the highest point of the floor.

The thereby determined dimension is indicated as dimension "H" in the drawing.

Now you can determine the height of the door panel with the aid of the following formulas:

For systems with a **timber door panel**:

$$\text{Door panel height} = H - 3 \text{ mm}$$

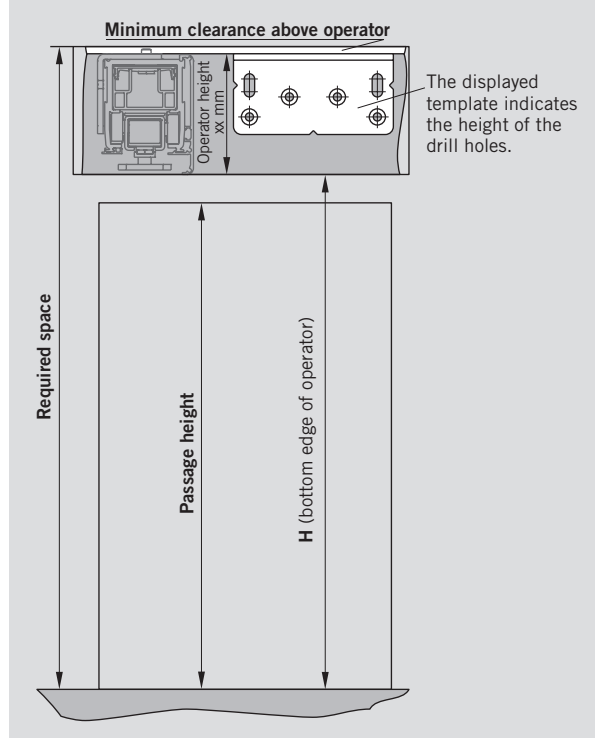
For systems with **glass clamping rail**:

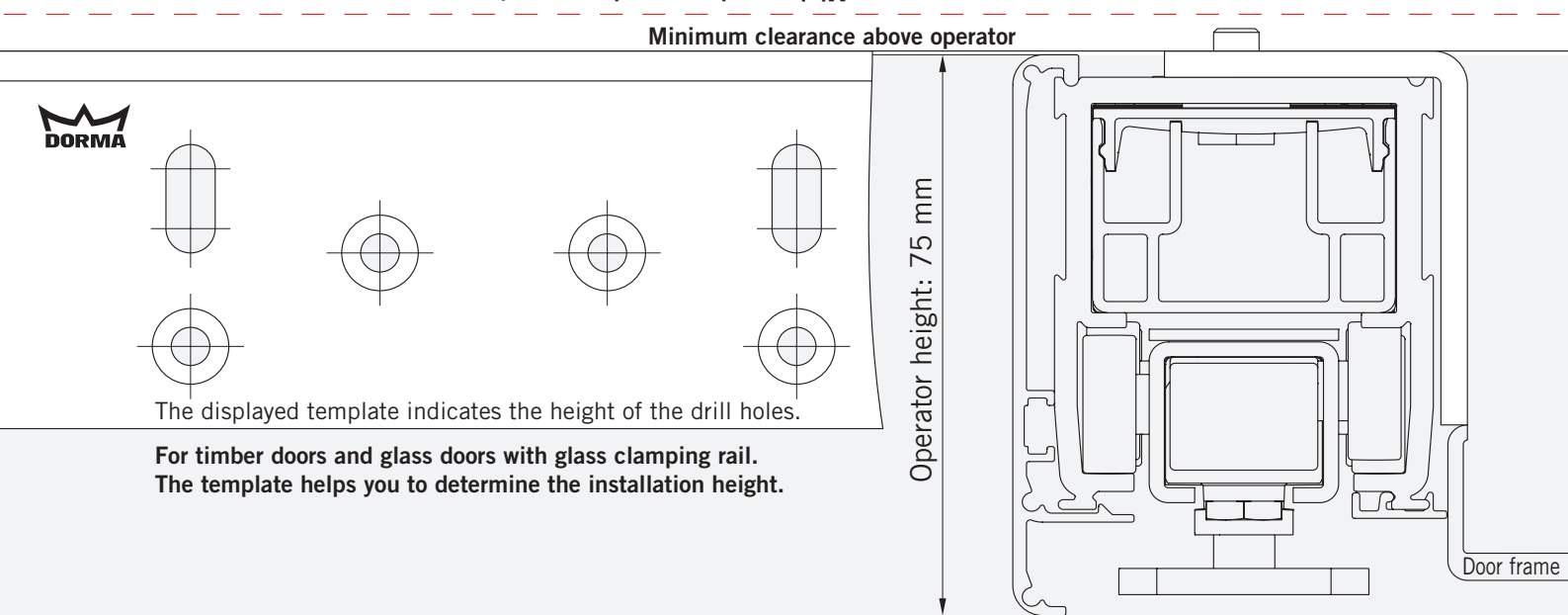
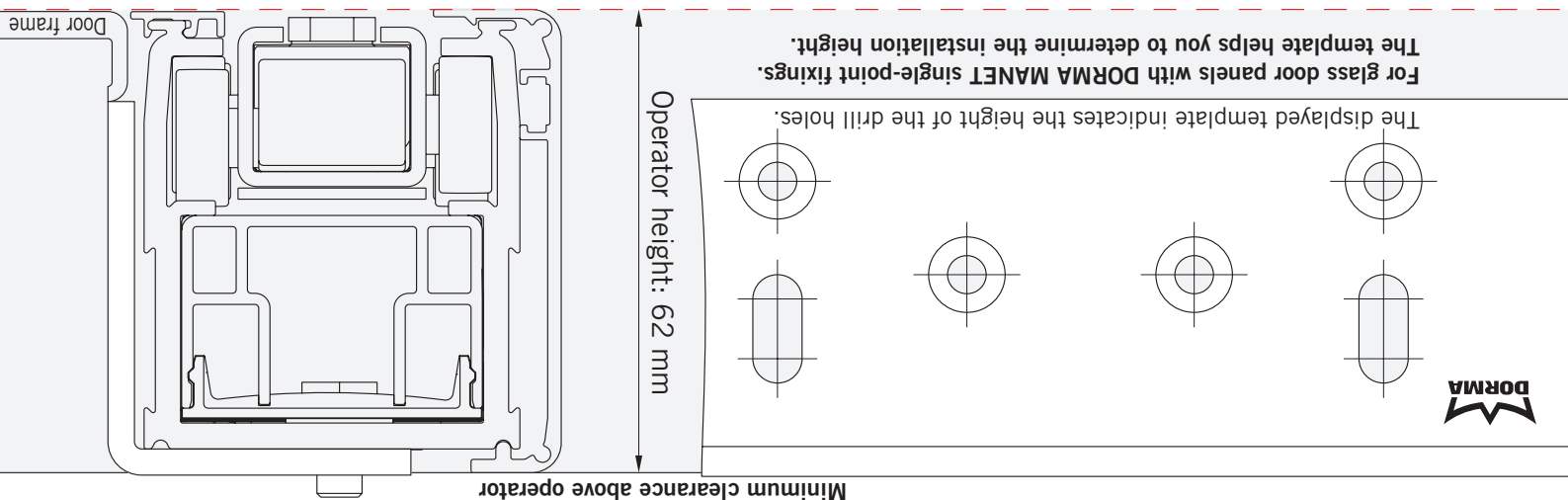
$$\text{Glass height} = H - 39 \text{ mm}$$

When using MANET **single-point fixings**:

$$\text{Glass height} = H - 12 \text{ mm}$$

Please take into account:
A maximum height of 3 m and a maximum weight of 80 kg must not be exceeded.

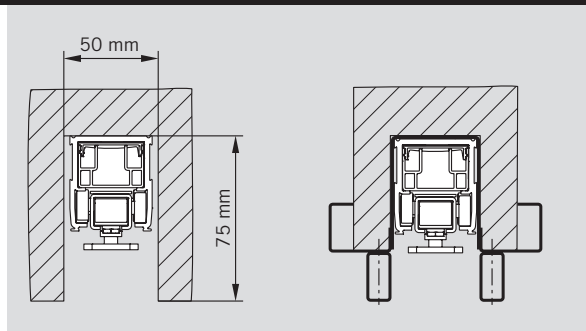




In-wall-mounting

The CS 80 MAGNEO sliding door operator is also suitable for an “invisible” in-wall mounting. For this kind of mounting a recess with a width of at least 50 mm and a depth of 75 mm is required.

Furthermore a special door frame made by **BOS** can be used. For this purpose you will have to talk about some details with the manufacturer. Phone number **BOS**: +49 5272 203-0 URL: BestOfSteel.de



Explanation of terms

Door frame

The door frame (also referred to as door case) is the rigidly-mounted part of the door in (front of) which the movable part of the door system, the door panel or door leaf, is located. The door frame covers the edges of the inner reveal of the wall opening either partly or completely. When it covers the edges completely, it is flush with the wall plaster; however, more often there is a projection. Frequently there are thresholds to stabi-

lize the door or to cover the ground at the bottom of the door frame.

The door hinges are normally installed at the door frame, while the opening direction of the door determines the position of the hinges. Usually – except for two-panel doors – the strike plate for the latch bolt is mounted in the door frame opposite the door hinge.

FFL

FFL is the abbreviation for: “Finished floor level“. When we talk about finished floor level, the flooring is included while carpets are not. FFL is an important specification for the interior work of a building.

DB = passage width

The passage width stipulates the actual width of the passage area. The passage width is the horizontal dimension between the internal edges of the door frames.

DH = passage height

The passage height stipulates the actual height of the passage area. The passage height indicates the dimension between the finished floor level (FFL) and the upper horizontal part of the door frame.

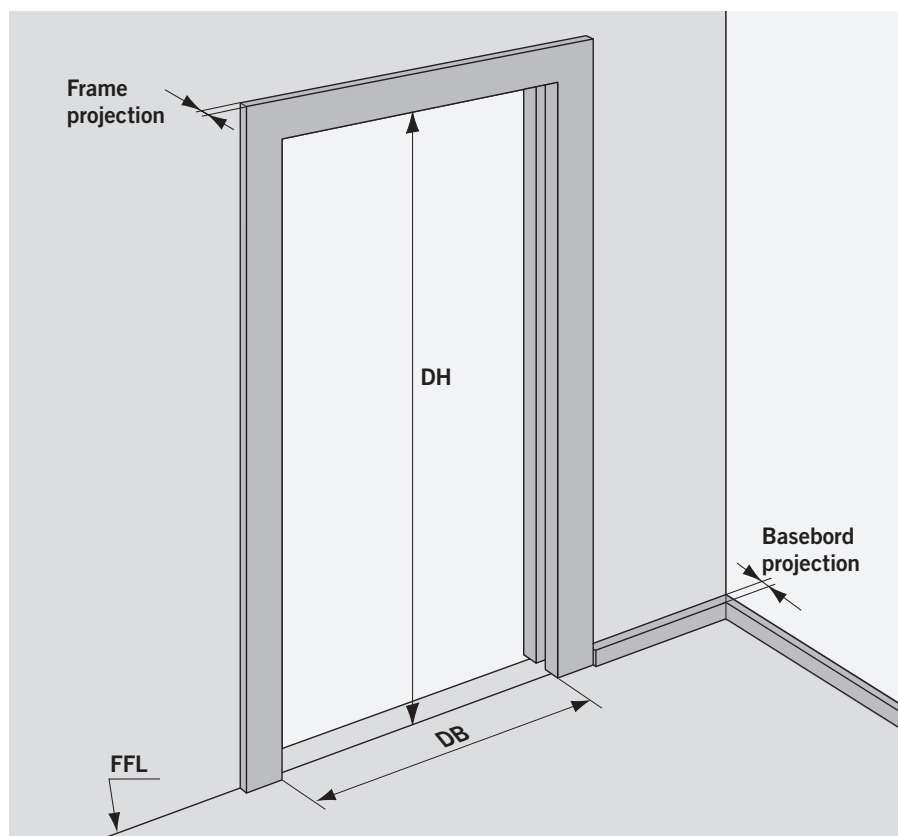
Frame projection

The frame projection is the dimension by which the door frame projects the wall. This also goes for the baseboard projection.

Shim plate

A shim plate is a metal plate that is installed between the brickwork and the CS 80 MAGNEO. It is designed to compensate unevennesses or to avoid that the door panel collides with the door frame and the baseboard respectively.

Please note that the door panel must be installed vertically.



Door panel dimensions

Operator length	C	
1,750	575	
2,000	700	
2,250	825	

Door panel width	Minimum	Maximum
Set Article No. 84000001	800	1,005
Set Article No. 84000002	1,005	1,130
Set Article No. 84000003	1,005	1,255

Standard door panel height	of up to 3,000 mm
----------------------------	-------------------

Standard glass depths

8 mm
10 mm
12 mm

Recessed door grip (optional)

In case a recessed door grip is desired, it can be positioned according to the customer's wishes. However, the centre of the drill hole must be located at a distance of 70 mm from the edge of the glass pane.

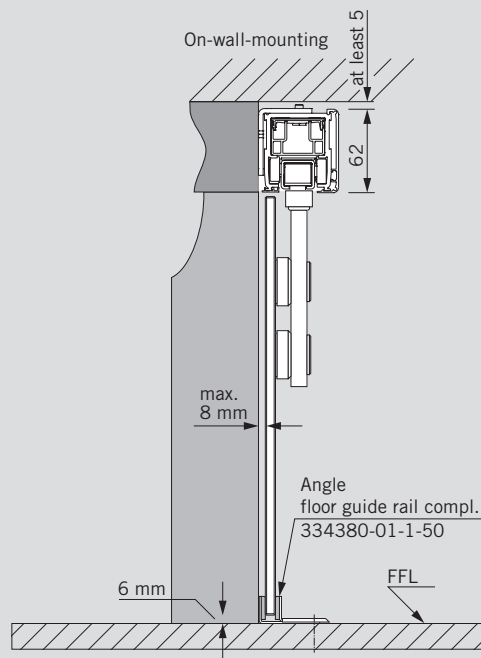
The height of the drill hole is freely selectable. A height of 1,050 mm is the commonly used standard dimension.

Please note!

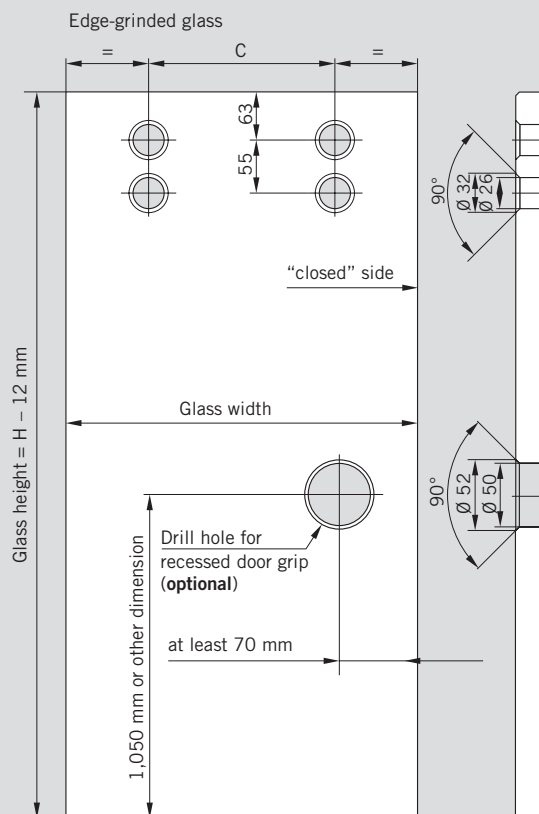
When using MANET single-point fixings at satined glass panes, the satined side of the glass pane has to point to the wall.

Glass door panels with MANET single-point fixings

Installation type

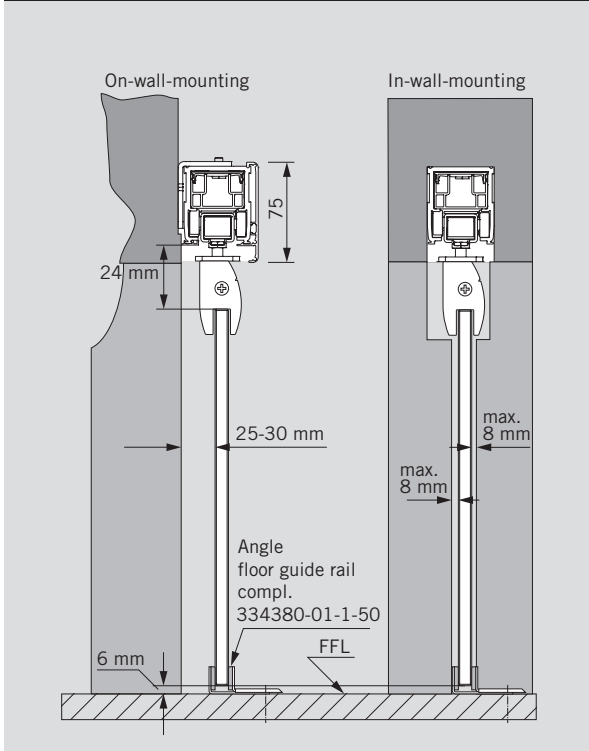


Door panel information



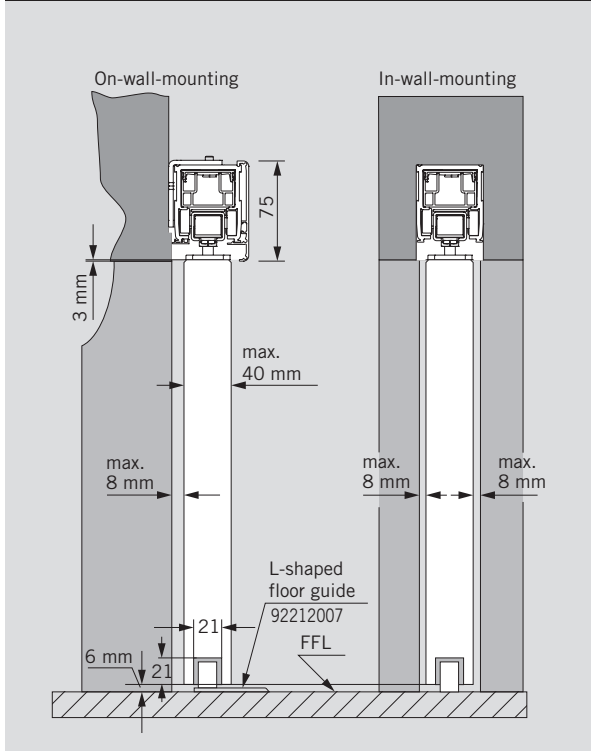
Glass door panel with glass clamping rail

Installation type

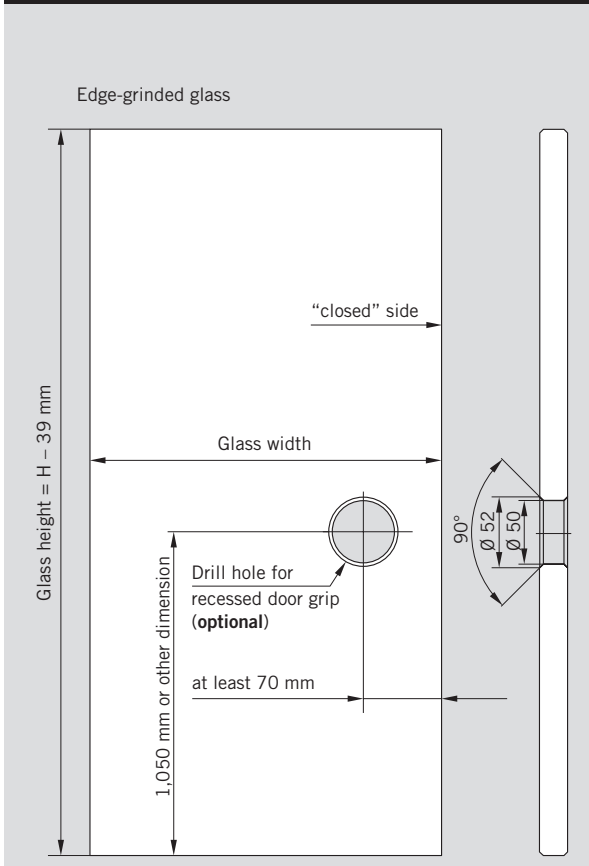


Timber door panel

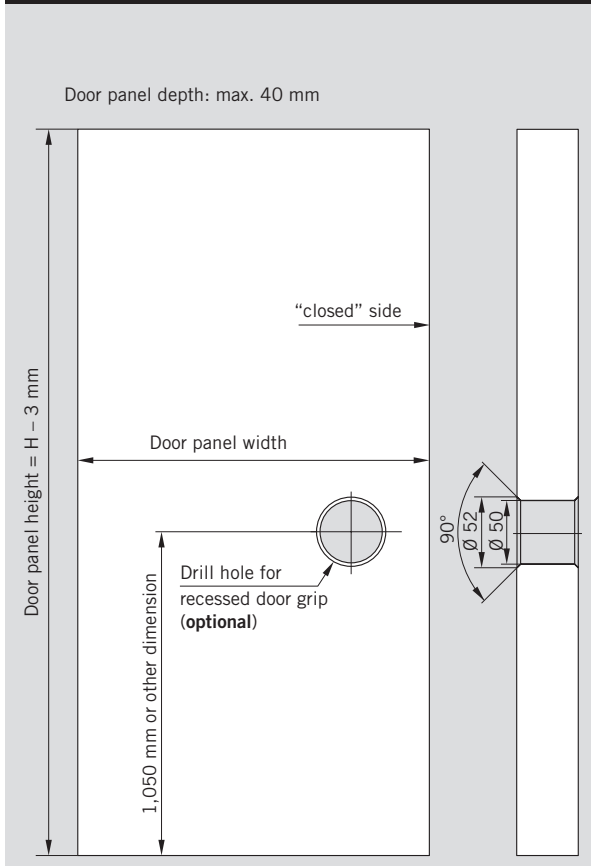
Installation type



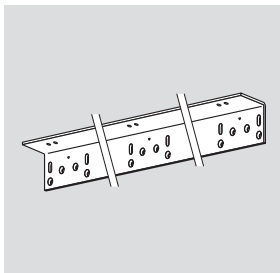
Door panel information



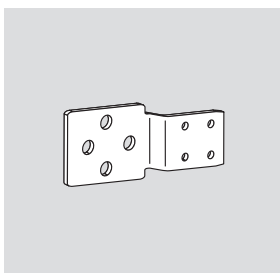
Door panel information



Accessories for the operator



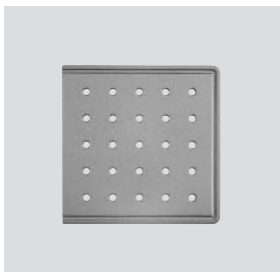
**Fixing set for
on-wall mounting**
875 mm
Art. No. 84020003
1000 mm
Art. No. 84020004
1125 mm
Art. No. 84020005



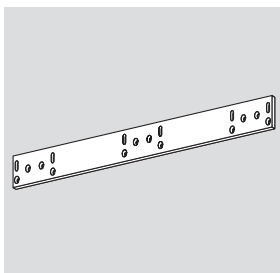
**Fixing set for
in-wall mounting**
Art. No. 84020002



for glass door panel/MANET
End caps 62 mm, mill-finish
Art. No. 84020070
End caps 62 mm, E6/C0
Art. No. 84020071



for timber door panels
End caps 75 mm, mill-finish
Art. No. 84020073
End caps 75 mm, E6/C0
Art. No. 84020074

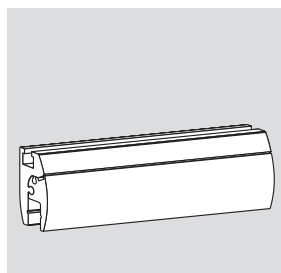


**Power cord 230 V
(Germany), white**
Art. No. 84020040
Shim plate
875 mm
Art. No. 84020124
1000 mm
Art. No. 84020125
1125 mm
Art. No. 84020126

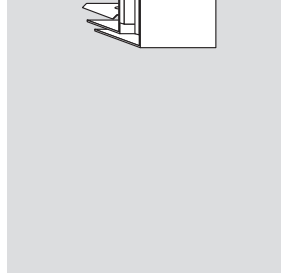
Accessories for door panels



**MANET fixings for
full-glass doors**
Art-Nr. 84020020



**Glass clamping rail
incl. floor guide rail**
875 mm, mill-finish
Art. No. 84020010
875 mm, E6/C0
Art. No. 84020011
1000 mm, mill-finish
Art. No. 84020013
1000 mm, E6/C0
Art. No. 84020014
1125 mm, mill-finish
Art. No. 84020016
1125 mm, E6/C0
Art. No. 84020017



**Recessed door grip for
full-glass door panels**
Art. No. 84020100



**Floor guide rail for timber
door panels including floor
guide**
875 mm
Art. No. 84020110
1000 mm
Art. No. 84020111
1125 mm
Art. No. 84020112

Activators, pushbuttons, switches



ACTIV8 ONE ON
Art. No. 16576101170



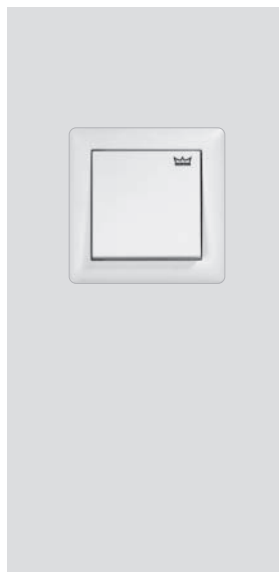
IRIS ON
DIN 18650, suitable for
secondary closing edges
Art. No. 16588801170



JUPITER Presence
Art. No. 16591901170



ArtMotion
White
Art. No. 16614703170
Silver
Art. No. 16614702170
Schwarz
Art. No. 16614701170



**Easy Switch Set Radio
transmitter and receiver**

White
Art. No. 89000040

Silver
Art. No. 89000041

Anthracite
Art. No. 89000042

additional radio transmitter

White
Art. No. 89000046

Silver
Art. No. 89000047

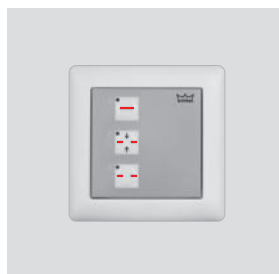
Anthracite
Art. No. 89000048



DORMA RC

RC-R Receiver
Art. No. 16562301170

RC-T Hand-held transmitter
Art. No. 16562101170



**External program switch
EPS-S3**

Art. No. 16605501150

DORMA GmbH + Co. KG
DORMA Platz 1
D-58256 Ennepetal
Phone +49 2333/793-0
Fax +49 2333/793-495

Automatic Division worldwide

Region Australasia

Australia
DORMA Automatics Pty. Ltd.
Phone +61 3 97964111
www.dorma.com.au

New Zealand
DORMA Automatics Pty. Ltd.
Phone +61 3 97964111
www.dorma.com.au

Region Central Europe

Belgium
DORMA foquin N.V./S.A.
Phone +32 50 312849
www.dorma.be

Germany
DORMA Automatic
GmbH + Co. KG
Phone +49 2333 793-0
www.dorma.de

Luxembourg
Luxembourg Subsidiary
Automatic
Phone +49 2333 793-216
www.dorma.de

Netherlands
DORMA van Duin Nederland BV
Phone +31 488 418 100
www.dorma.nl

Switzerland
DORMA Schweiz AG
Phone +41 71 8864646
www.dorma.ch

Region Emerging Markets

Bulgaria
DORMA Bulgaria
Phone +359 2 9714 904
www.dorma.com

Greece
DORMA Representation Greece
Phone: +30 21 09944388
www.dorma.com

India
DORMA Door Controls India
Phone +91 442 8585097
www.dorma.com

Israel
DORMA GmbH + Co. KG
Phone +49 2333 793-0
www.dorma.com

Poland
DORMA Polska Sp. z o.o.
Phone +48 22 736-59-00
www.dorma.pl

Russia
Representative Office in Russia
Phone +7 495 981 14 33
www.dorma.rus

South Africa
DORMA Door Controls (Pty.) Ltd
Phone +27 11 8300280
www.dorma.com

Turkey
DORMA Kapi Kontrolleri Ltd. Sti
Phone: +90 216 3600056
www.dorma.com

Ukraine
DORMA Representation Ukraine
Phone +380 44 2443897
www.dorma.com

Region China

China
DORMA Door Controls (Suzhou)
Co. Ltd.
Phone +86 512 676 12481
www.dorma.com.sg

Hong Kong
DORMA Door Controls Pte. Ltd.
Phone +852 25034632
www.dorma.com.sg

Region Far East

Indonesia, Japan, Malaysia,
Vietnam
DORMA Emerald Entrance
Systems Pte Ltd
Phone +65 459 5733
www.dorma.com.sg

Philippines
DORMA Door Controls Pte. Ltd.
Phone +632 893 40778
www.dorma.com.sg

Singapore
DORMA Far East Pte. Ltd.
No. 31 Gul Lane
Phone +65 62 68 76 33
www.dorma.com.sg

South Korea
DORMA Emerald Entrance
Systems Pte Ltd
Phone +65 459 5733
www.dorma.com.sg

Taiwan
DORMA Door Controls Pte. Ltd.
Phone +886 2 9182987
www.dorma.com.sg

Region France

France
DORMA Accueil S. A. S.
Phone +33 4 79348924
www.dorma.fr

Region Gulf

Saudi Arabia, Bahrain, Kuwait,
Egypt, Syria, Jordan, Lebanon,
Iran
DORMA ARABIA
Automatic Doors Ltd.
Kingdom of Saudi Arabia
Phone +966 3 847 2394
www.dorma.com

United Arab Emirates, Oman,
Qatar
DORMA Middle East LLC
Dubai
Phone +971 4 282 4424
www.dorma.com

Region North America

Canada
DORMA Door Controls
Phone +1 905 6701281
www.dorma.com

Mexico
DORMA México, S. de R.L.
de C.V.
Phone +52 55 5272 6937
www.dorma.com

USA
DORMA Automatics Inc.
Phone +1 301 390-3600
www.dorma-usa.com

Region Scanbalt

Denmark
DORMA Danmark A/S
Phone +45 44 543000
www.dorma.dk

Estonia
DORMA Representation Estonia
Phone +372 6707064
www.dorma.com

Finland
DORMA Finland Oy
Phone +358 9 8789130
www.dorma.fi

Lithuania
DORMA Norge AS
Phone +47 23 176800
www.dorma.com

Norway
DORMA Norge A/S
Phone +47 23 176800
www.dorma.no

Sweden
DORMA Sverige AB
Phone +46 31 289520
www.dorma.se

Region South America

Argentina
DORMA Sistemas de
Controles para Portas Ltda
Phone +54 11 45051032
www.dorma.com

Brazil
DORMA Sistemas de Controles
Phone +55 11 41913244
www.dorma.com.br

Region South-East Europe

Austria
DORMA AKS
Automatic GmbH
Phone +43 6225 8636-0
www.dorma.at

Croatia
DORMA URED
Phone +385 1 3498 422
www.dorma.com

Czech Republik
DORMA dverni technika CR,
s.r.o.
Phone +420 2 671321-78 or -79
www.dorma.com

Hungary
DORMA AKS Automatic GmbH
Phone +36 1 2065127
or 2058058
www.dorma.com

Romania
DORMA ROMANIA S.R.L.
Phone +40 31 806 916 0
www.dorma.com

Slovakia
DORMA Slovensko spol. s.r.o.
Phone +421 2 50221 283
www.dorma.com

Slovenia
DORMA Representation
Slovenia
Phone +386 2 5 30 20 10
www.dorma.com

Region South Europe

Italy
DORMA Italiana S.r.l.
Phone: +39 039 244031
www.dorma.it

Portugal
DORMA Portugal para Portas,
Lda.
Phone +351 252 860 490
www.dorma.com

Spain
DORMA Ibérica, S.A.
Phone +34 91 8757851
www.dorma.es

Region UK/Ireland

Ireland
DORMA Ireland Limited
Phone +353 1 295 8280
www.dorma.com

Great Britain
DORMA UK Limited
Phone +44 1462 477600
www.dorma-uk.co.uk



Door Control



Automatic



**Glass Fittings
and Accessories**



**Security/Time
and Access (STA)**



Movable Walls