

# EASY GATE CLOSER

## Pedestrian Gate Closer

- Easy fit to timber or steel gates
- Unbelievably Quiet Operation
- No Clockwork Mechanisms



- Pre-set controlled closing speed
- Low opening hand forces
- Robust construction

# Easy Pedestrian Gate Closer

Suitable for gates from 1.0 m to 1.5 m wide and 50 to 100 kg weight

Easy Pedestrian Gate Closers are an economic and reliable automatic gate closer for use with commercial gates.

Unlike normal closing springs, Easy Pedestrian Gate Closers do not slam gates shut. They firmly and quietly push gates closed, making them ideal for use with electric / magnetic locks and other latching devices.

The closing speed is pre-set to give a controlled closing time of approximately 6 seconds\*, depending upon the weight of gate and condition of the hinges. With this closer there is no risk of maladjustment or tampering with the speed adjustment after the closer is fitted.

Easy Pedestrian Gate Closers are extremely simple to install and only require periodic inspection. There are three models available, a 200, 400 and a 600. And each model is available in black painted finish or stainless steel.

Each gate closer kit includes fixing brackets, fitting bar and instructions. Fixings are not included. Button socket head screws are suitable for metal fixing and a similar low profile is suitable for timber fixing.

As with most gate closers, it is advisable to fit a mechanical stop\*\* restricting the gate opening angle to avoid damage to the closer.

Please contact us for advice regarding suitability.



## Technical overview:

|                         |                               |
|-------------------------|-------------------------------|
| Material                | Steel / stainless steel       |
| Finish                  | Black paint / stainless steel |
| Hinge arrangements      | In-line and offset            |
| Opening angle**         | 90 deg. plus                  |
| Gate weight (200 model) | Up to 50 kg                   |
| Gate weight (400 model) | Up to 80 kg                   |
| Gate weight (600 model) | Up to 100 kg                  |
| Gate width (200 model)  | Up to 1.2 m                   |
| Gate width (400 model)  | Up to 1.2 m                   |
| Gate width (600 model)  | Up to 1.5 m                   |
| Types of gate materials | Timber or metal               |
| Gate closing speed*     | Hydraulically controlled      |

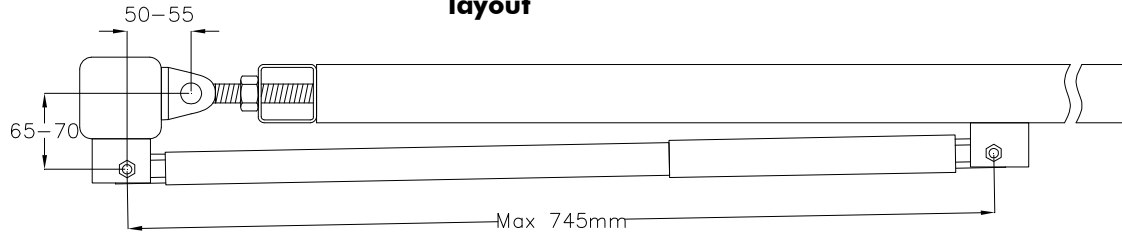
## Ordering overview:

| Model                   | Part Reference |
|-------------------------|----------------|
| 200 Screw fix black     | GATECLOSER003  |
| 400 Screw fix black     | GATECLOSER017  |
| 600 Screw fix black     | GATECLOSER023  |
| 200 Screw fix stainless | GATECLOSER037  |
| 400 Screw fix stainless | GATECLOSER039  |
| 600 Screw fix stainless | GATECLOSER040  |

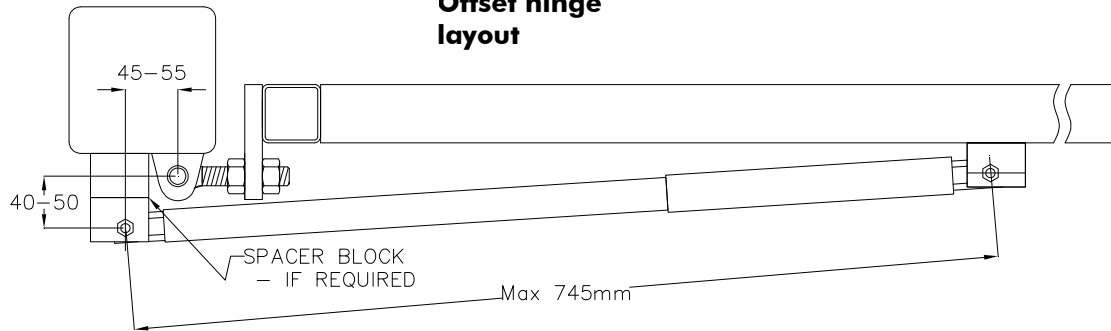
Weld on brackets are available – please ask for details

# Installation Drawings

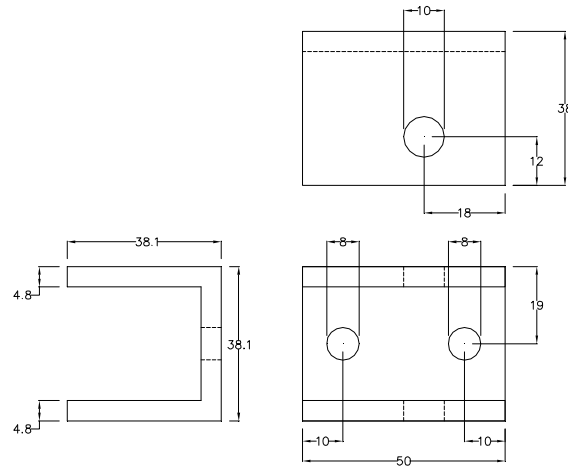
## In-line hinge layout



## Offset hinge layout



## Mounting Bracket Dimensions



## Table of Components in Kit

| Qty | Description  |
|-----|--|
| 1   | Gate closer cylinder assembled with retaining bar                                  |
| 2   | Aluminium brackets with plastic inserts / steel brackets without inserts (weld on) |
| 2   | Hexagon head stainless steel securing pins   |
| 1   | Aluminium post bracket spacer / long reach steel bracket without inserts (weld on) |
| 2   | Post bracket spacer end plugs (screw fix kit only)                                 |
| 2   | M6 stainless steel socket head screws  |
| 1   | Steel fitting bar  |
| 2   | Steel fitting bar locating pins  |
| 4   | Stainless steel spacers for fitting gate closer cylinder to mounting brackets      |